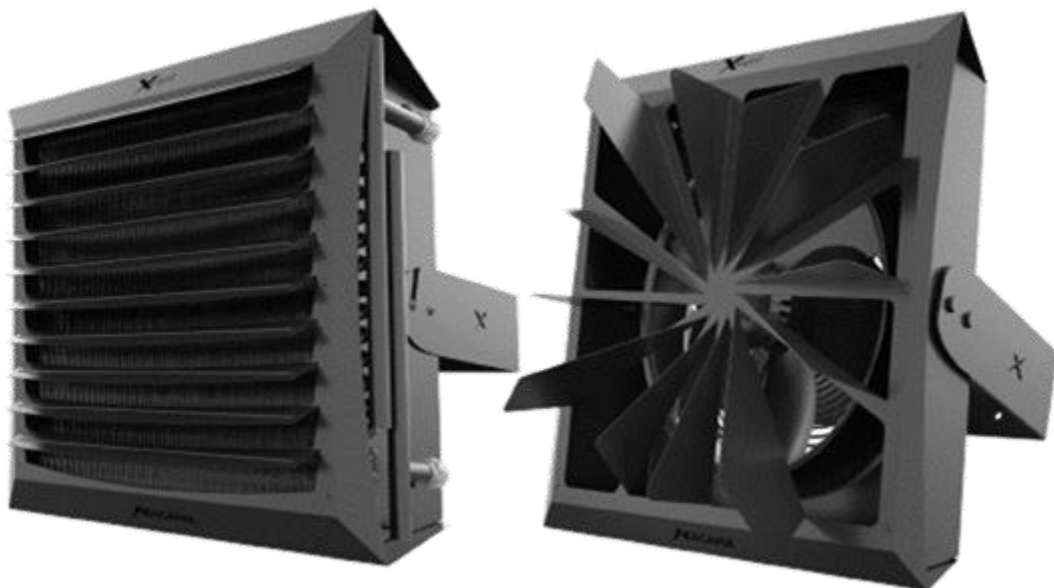




The Quick Manual will guide you through a quick installation of the product, but in no case could it replace the full operating manual. A complete operating manual is available on our website www.xvent.cz or can be downloaded using a QR code.

Use a smart device (mobile phone, tablet, etc.) equipped with this technology to read the QR code.



The assembly and connection of the unit may only be carried out by trained persons with the appropriate authorization to connect

electrical equipment, who have suitable tools and means at its disposal. During the assembly, it is necessary to observe all the instructions and recommendations in the Operating and Installation



Before starting all installation or maintenance work, it is necessary to switch off the power supply and secure the switch

Use of the unit

- The Atacama heating unit is designed to heat and filter air in the indoor environment (it is possible to order filters as accessories) of industrial halls, warehouses, sports facilities, workshops and smaller facilities.
- The Atacama Destra mixing unit is used to equalize the air temperature profile in the internal environment. It is also used for air filtering (it is possible to order filters as accessories). Possible installation in industrial halls, warehouses, sports facilities, workshops and smaller facilities.
- The unit is intended for indoor and dry spaces with ambient temperatures from +5°C to +40°C.
- The unit can also be used for environments with a higher non-condensing humidity corresponding to the protection class IP54 and IP44 according to EN 60529, depending on the type of unit. The unit may also be used in corrosion environment C2, according to EN ISO 9223. The unit must not be operated in the environment with the risk of explosion and increased dustiness.
- Neither the manufacturer nor the supplier is liable for damage caused by improper use of the units. The risk is borne solely by the user.
- The unit must not be operated during finishing construction activities, especially during activities that create excessive dustiness, e.g. by grinding concrete, plasterboard, etc...

Technical parameters

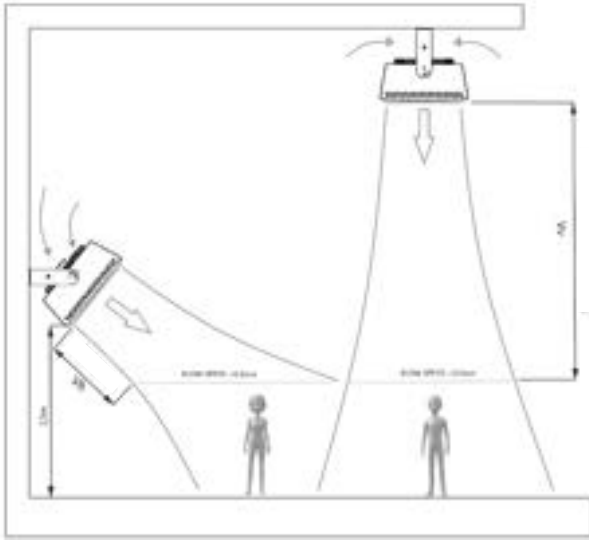
ATACAMA heating units		Heating						Mixing		
		ATACAMA 2		ATACAMA 3		ATACAMA 4		ATACAMA 2 DESTRA	ATACAMA 3 DESTRA	ATACAMA 4 DESTRA
		EC	EC	EC	EC	EC	EC	EC	EC	EC
Typical service area (ceiling height 4m)	m ²	0-300		0-500		0-1000		0-300	0-500	0-1000
Airflow	m ³ /h	2350	2250	3000	2600	4700	4400	2700	3350	5600
Heat output range	kW	3 - 32	4 - 39	4 - 38	5 - 44	9 - 58	11 - 71	N/A	N/A	N/A
Number of heat exchanger rows	-	2	3	2	3	2	3	N/A	N/A	N/A
Heat exchanger data		maximum operating water temperature 120 °C; maximum operating pressure 1.6MPa; pipe connection dimension G 1/2"						N/A	N/A	N/A
Maximum horizontal blowing distance *	m	13	12	17	14	15	12	N/A	N/A	N/A
Maximum vertical blowing distance *	m	8	7	10	8	8	6	10	13	12
Noise level **	dB(A)	42,3	42,1	51,7	50,3	52,1	51,6	43	52,9	52,6
Unit weight / with console ***	kg	15 / 17,5	16 / 18,5	17 / 19,5	18 / 20,5	23 / 26	25 / 28	9,5 / 12	11,5 / 14	16,5 / 19,5
The volume of water in the exchanger	dm ³	1,4	2,1	1,4	2,1	2	3	N/A	N/A	N/A
Power supply of the unit	V/Hz	1 ~ 230/50-60		1 ~ 230/50-60		1 ~ 230/50-60		1 ~ 230/50-60	1 ~ 230/50-60	1 ~ 230/50-60
Motor output	W	114	117	184	189	359	379	102	177	337
Motor current	A	0,86	0,9	1,33	1,41	1,53	1,63	0,78	1,31	1,45
Speed	rpm	1370		1790		1310		1370	1750	1320
Protection Class	IP	54		44		54		54	44	54
Sales Code	-	ATAI-2-ECV2L-0-A-0	ATAI-3-ECV3L-0-A-0	ATAI-3-ECV2L-0-A-0	ATAI-3-ECV3L-0-A-0	ATAI-4-ECV2L-0-A-0	ATAI-4-ECV3L-0-A-0	ATAI-2-ECV2D-0-A-0	ATAI-3-ECV2D-0-A-0	ATAI-4-ECV2D-0-A-0

* Maximum air blowing distance at flow rate 0,5 m/s

** Sound pressure level at 5m, Q = 2

*** unit weight, without water

Installation distance in relation to the unit blowing distance



Unit type	Vv (max. air flow distance)	Vh (max. air flow distance)
ATA-1-2-ECV2CL-0A0	8	13
ATA-1-2-ECV3CL-0A0	7	12
ATA-1-3-ECV2CL-0A0	10	17
ATA-1-3-ECV3CL-0A0	8	14
ATA-1-4-ECV2CL-0A0	8	15
ATA-1-4-ECV3CL-0A0	6	12
ATA-1-2-ECSOCL-0A0	10	
ATA-1-3-ECSOCL-0A0	13	
ATA-1-4-ECSOCL-0A0	12	

Minimum spacing distances

- Minimum distance of the unit from a wall is 0.2 m
- Minimum height of assembly of the unit from the floor is 2.5m



The minimum safety distance from flammable substances is at least 0.5m from the side of the unit and 1 m in the direction of exhaust from the unit

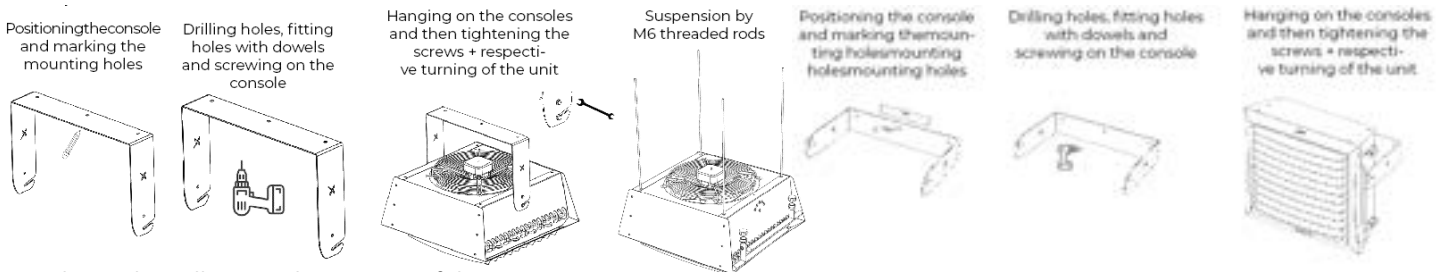
Directional lamellas setting



- Gradually flex the lamellas from top to bottom
- The minimum deflection of the lamellas for the correct function of the unit is 45°.

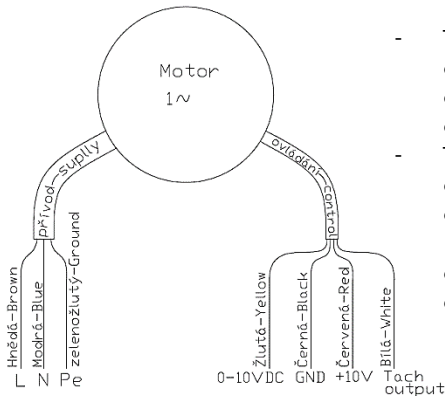
The lamellas must always be opened during the operation of the unit

Installation



Electrical installation and connection of the Atacama unit

! The relevant electrical installation and electrical connection of the units may only be performed by persons qualified for this activity with valid authorization and knowledge of the applicable standards and directives. Before starting any assembly works, it is necessary to switch off the power supply to the prepared electrical installation for subsequent activation of the unit. During installation, the switch must be secured against being switched on again by an unauthorized person. The unit shall be connected to the main power - system TN-S (neutral wire connected) in accordance with the relevant regulations.



- The power supply cable contains 3 conductors.
 - o Brown conductor – supply phase. In the diagram marked as **L**
 - o Blue conductor - neutral wire. In the diagram marked as **N**
 - o Green-yellow conductor – earthing conductor. In the diagram marked as **Pe**
- The control cable contains 4 conductors
 - o Yellow conductor – input control signal 0-10VDC. In the diagram marked as **0-10VDC**.
 - o Black conductor – input special grounding wire to the fan control signal. **It shall not be used otherwise than to control the fan.** In diagram marked as **GND**
 - o Red conductor – motor output voltage +10VDC. In the diagram marked as **+10V**
 - o White conductor - Tacho output. In diagram marked as **Tach output**

! The correct connection and use of all or part of the conductors taken from the unit is subject to the selected type of control. The connection of the supply and control wires must be carried out in such a way that they cannot be in any case interconnected or confused. This would result in the destruction of the unit fan and possible further damage to the property and health of persons.

