

The Quick Manual will guide you through a quick installation of the product, but in no case could it replace the full operating manual. A complete operating manual is available on our website www.xvent.cz or can be downloaded using a QR code.

Use the smart device (mobile phone, tablet, etc.) equipped with this technology to read the QR code.



The regulator may only be mounted and connected by a trained person with the appropriate authorization to connect electrical equipment with suitable tools and means.



1. Description of regulator

The regulator is used to continuously control the speed of the EC-motors with the control input 0-10VDC without connection to the mains power supply. The motor speed is controlled continuously by the control element (a knob) on the front panel of the regulator. For information on the operation of the connected equipment, the operating signal diode is located in the upper part of the front panel. The regulator is supplied with direct voltage of 10 VDC from the EC-motor. The maximum recommended distance of the regulator from the regulated EC-motor is 100 m, with conductor cross-section of 1 mm². Possible increase or reduction of the distance according to the selected conductor cross section and calculation of real voltage loss.

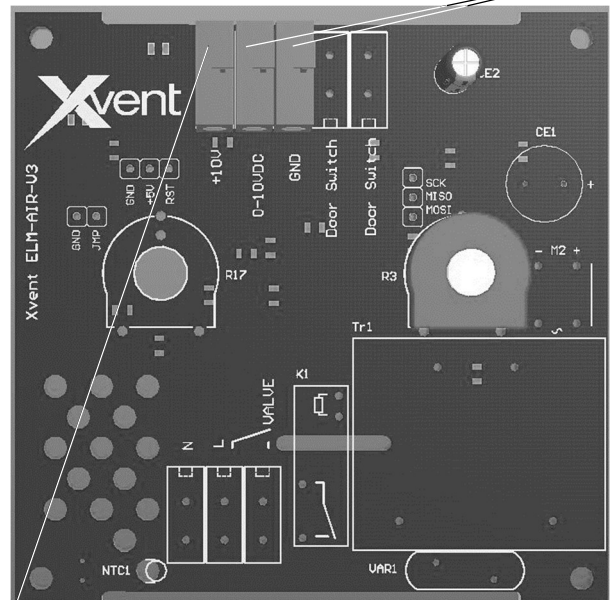
Description of controls and connecting terminals

Signalling diode –signals operation of the entire regulator. If the diode is lit, the regulator is on. If not, the regulator is off.

EC-fan connection terminals - terminals for connecting the control voltage from the EC fan 0-10VDC (+); GND (-) with 10kΩ resistor. Regulator control range 2-10V Contact load: max 0.3mA



Continuous fan speed regulator –allows continuous fan speed setting in any position from minimum to maximum speed as required by the user. The "OFF" position allows the entire regulator to be switched off. The "OFF" position does not provide disconnection of the controlled device from the supply voltage –it must be performed separately on the supply voltage of the controlled device.

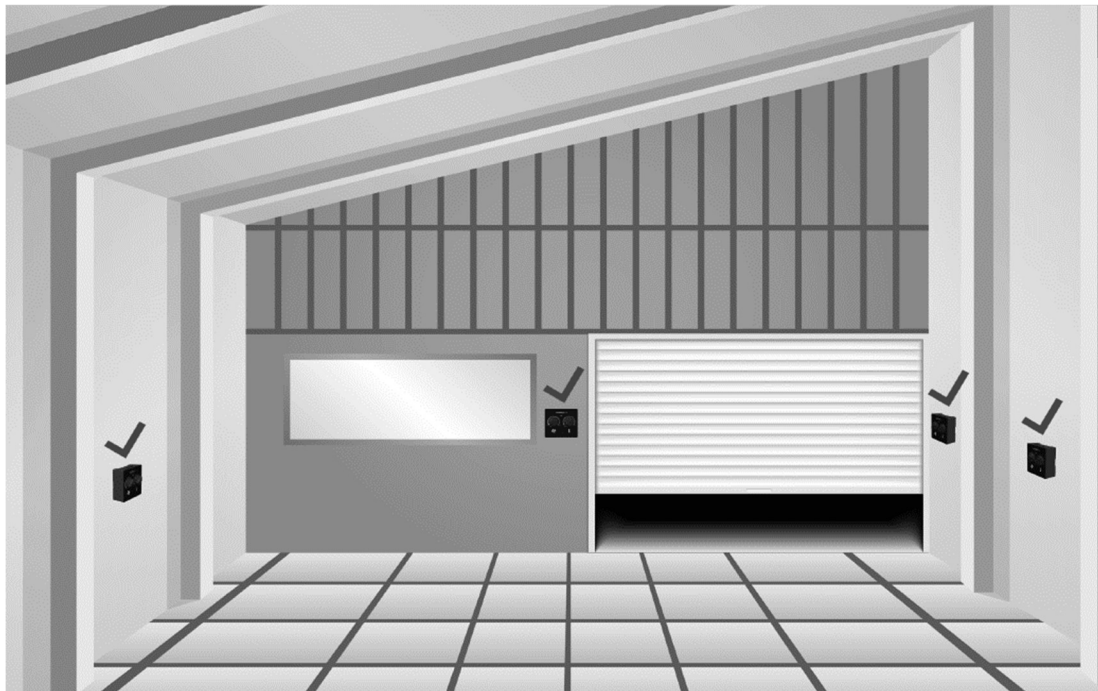


Terminal clamp for regulator power supply - clamp +10V intended for regulator power supply Max. current capacity of regulator: 10mA Recommended cross-section of conductors: from 0.5 mm² to 1.5mm².

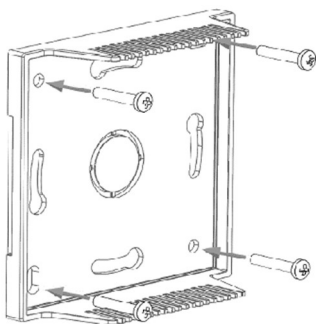
2. Technical parameters

- Input voltage	10VDC	- Current	10mA
- Output voltage - fan contro	0-10VDC	- Dimensions	85 x 85 x 30 mm
- Protection	IP20	- Weight	0.12kg

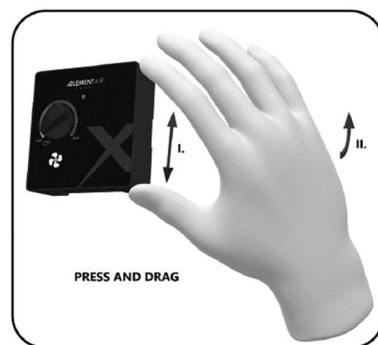
LOCATION AND ASSEMBLY OF THE ELEMENTAIR CONTROLLER



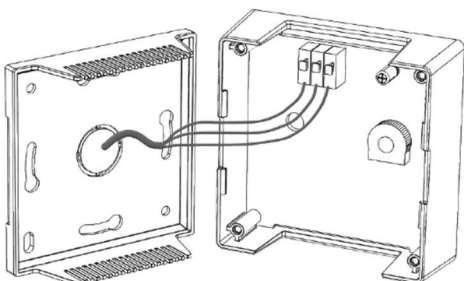
INSTALLATION ON UNDER-PLASTER OR ON SURFACE-MOUNTED ELECTRICAL JUNCTION BOX



FRONT COVER DISASSEMBLY OF THE CONTROLLER



POWER SUPPLY AND CONTROL CABLES



ASSEMBLING THE CONTROL PANEL AFTER CONNECTING (ALIGN THE CABLE TO AVOID DAMAGE)

