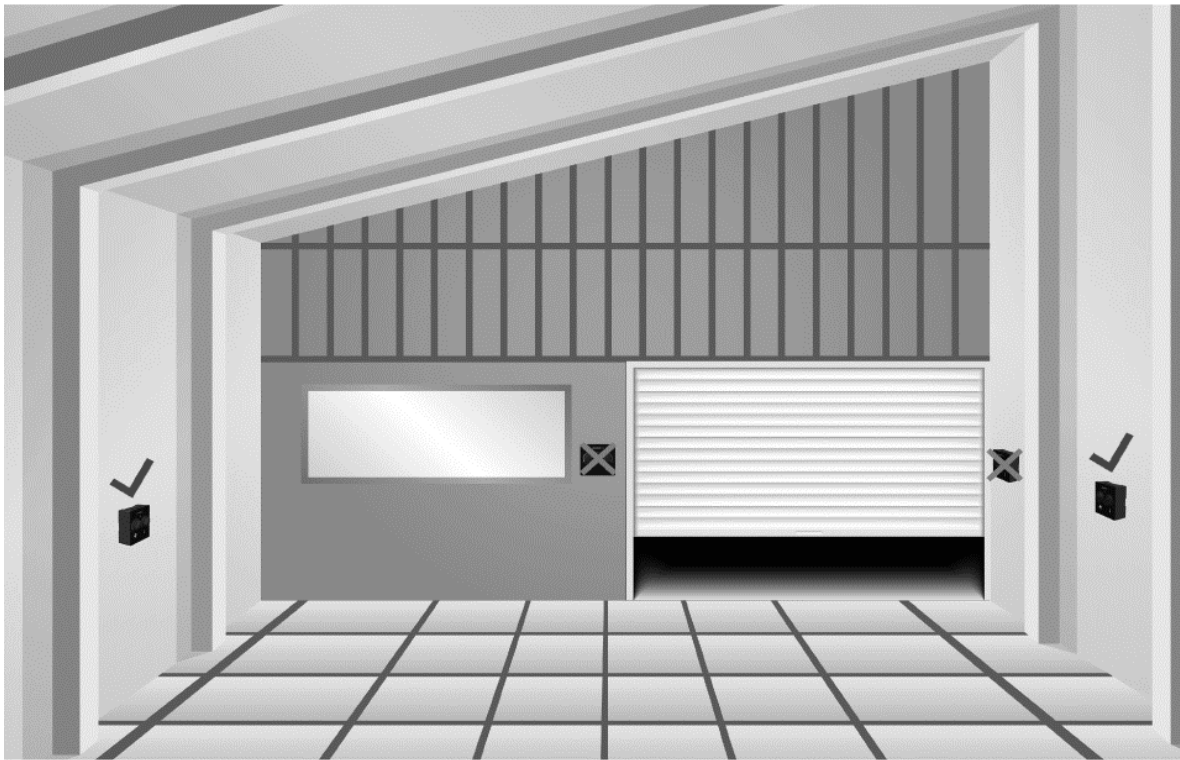
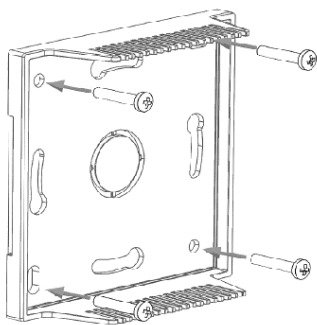




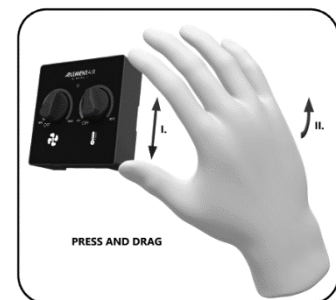
POSITIONING AND INSTALLATION OF THE ELEMENTAIR CONTROLLER



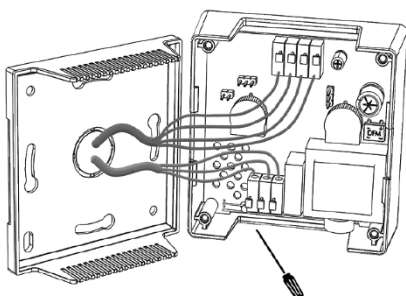
INSTALLATION ON A SUB-PLASTER OR SURFACE-MOUNTED ELECTRICAL JUNCTION BOX



DISASSEMBLY OF THE CONTROLLER FRONT COVER



CONNECTING POWER SUPPLY AND CONTROL CABLES



COMPLETING THE CONTROL PANEL AFTER CONNECTING (COMPARE THE CABLES TO AVOID DAMAGE)

