

Installation and operation manual

Installation EPS box – for Xroom units

1. General information

1.1. Preface

- This document will guide you thru proper installation of EPS box in to the wall when during work construction, which will used for installation of heat recovery unit Xroom.
- It is necessary to read entire manual in order to ensure proper and safe installation and operation of the unit. Breaking the conditions stated in this document might lead to improper function of the unit in the future.

1.2. Usage of the EPS box

- EPS box is designed to be applied in to the wall during construction work. Its purpose is preparation of future holes for inlet and outlet of Xroom unit. EPS box is suitable for any type of wall with minimum total thickness 200 mm.

1.3. Transport, delivery check, stocking

- Do not put any other objects on top of EPS box during transport – risk of damage. EPS box must not be exposed to external influences. Temperature of the air during transport has to be in range from -25 up to 55 °C. Humidity of the air during transport has to be in range from 10% up to 90% without any condensation.
- Check, if the packaging of the EPS box is not damaged once received it from the haulier. In case of any damage make written record about it and inform your haulier.
- Check if you get right product you have ordered. In any case of mismatch inform the supplier immediately. Later claims will not be accepted.
- If the BOX would not be installed immediately after purchase, stock it in space with air temperature within range from +5 up to +40 °C. If the box is transported when temperature is below 0 °C, it has to stay 2 hours in the place where will be installed after unpacking.

1.4. Content of the delivery

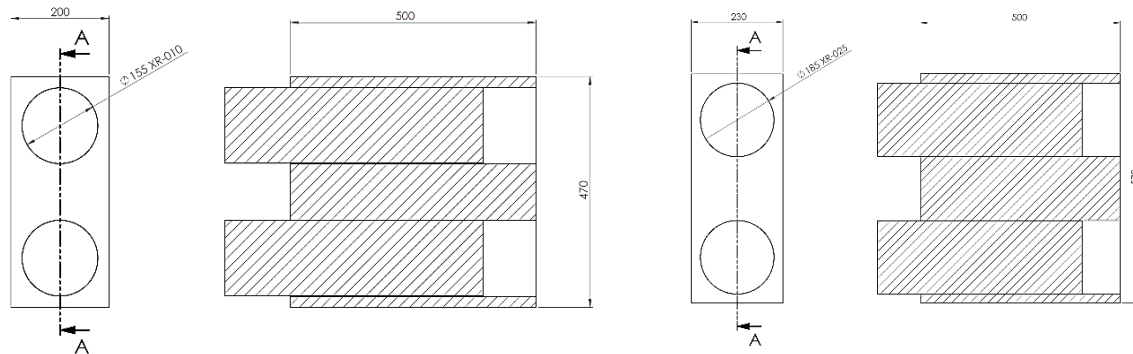
- EPS box
 - o XR-010-EPS-BOX (for Xroom100) 1x
 - o XR-025-EPS-BOX (for Xroom 250)
- Installation and operation manual 1x

1.5. Before the installation

- **Make sure that the installation of the EPS box will not interfere the static of the building and comply with all safety legislative requests. Consult EPS box usage with the engineer of the building.**



2. Technical parameters



2.1. Construction housing – (position 1.)

- Construction housing is made from expanded polystyrene (EPS). Material conforms with material used for thermal insulation of energy-save buildings (low-energy-consumption and passive houses) with usual thickness of the insulation.

2.2. Installation plugs – (position 2.)

- Plugs are used as protection of the holes during installation of construction housing and other construction work. **Remove the plugs shortly before the installation of the Xroom unit on the wall.**

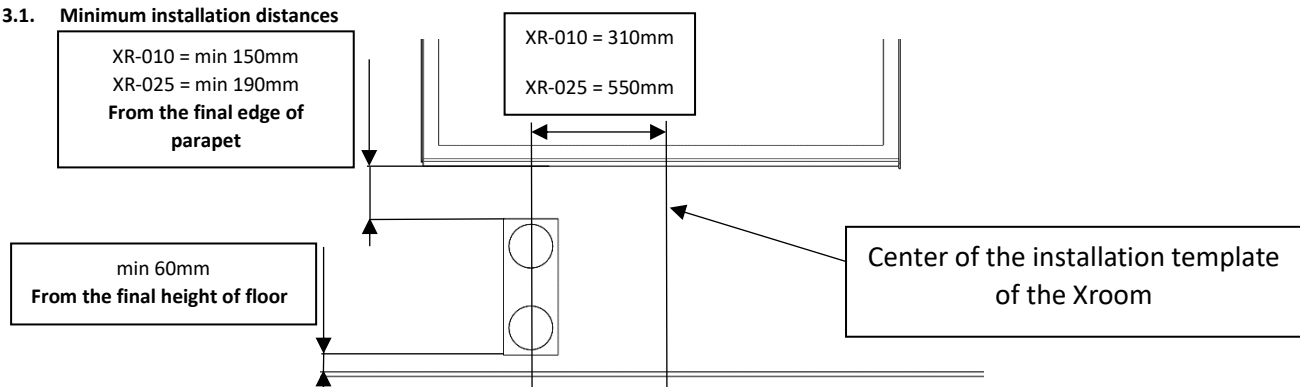
2.3. Basic technical parameters

Type of EPS box Product code	Coefficient of thermal conductivity λ	Thermal resistance R_D	Rough volume density	Compressive stress at 10% compression	Fire reaction class	Weight netto/bruto	Packaging dimensions m (H x W x L) / pcs*
	W/m.K	m ² .K/W	kg/m ³	kPa		kg	
XR-010-EPS-BOX	0,037	5,4	18 - 23	100	E	0,9 / 1	0,45 x 0,2 x 0,5 / 32
XR-025-EPS-BOX						1,1 / 1,2	

* pcs on the pallet

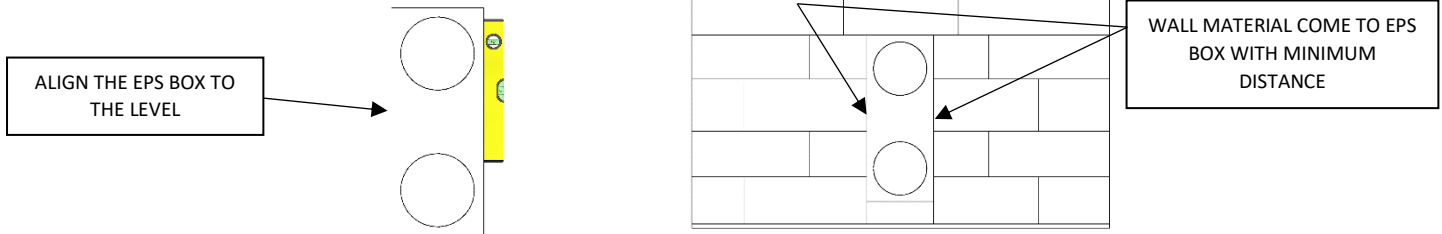
3. EPS box installation

3.1. Minimum installation distances



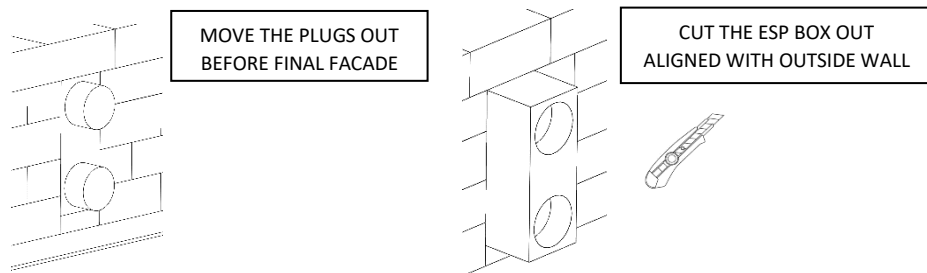
3.2. Installation procedure

- Remove EPS box from the packaging
- Place the EPS box in to the wall according to project documentation, or according your consideration with respect for all minimum distances mentioned in point 3.1. Box is designed for usage for walls of maximum thickness 500mm (total thickness). In case of bigger thickness of the wall use another EPS box.
- **Make sure, that the position of EPS box is correct with respect to future position of the Xroom. Center of the EPS box is not center of the Xroom!!!**
- Installation process:
 - 1) Position the EPS box leveled to inside wall. Leave internal plugs in.
 - 2) Fix the EPS box by usual way according to the type of wall material.



Make sure, that wall material come to EPS box with minimum distance. There is risk, that the screws fixing the installation template might come in to the gap between wall material and EPS box.

- 3) When finalising internal wall, move the plugs partially out in order to avoid its coverage.
- 4) Before finalisation of outside surface:
 - Maximum wall thicknesses up to 500mm – cut the EPS box aligned with the surface (I.E.: with insulation system) before final finish of outside facade.
 - Maximum wall thicknesses higher than 500mm – use another EPS box. For its fixing with already fixed EPS box:
 - o From the fixed EPS box move 1/2 of the plugs in to second EPS box.
 - o Align outside edges of the boxes
 - o Fix the second EPS box
 - o Cut the EPS box out aligned with the surface (I.E.: with insulation system) before final finish of outside facade.
- 5) Before finalising outside facade, move the plugs partially out in order to avoid its coverage.



4. Recycling and dismantling

- When disassembling the EPS box, it is necessary to observe the generally valid safety regulations for the safe execution of all work.
- Individual parts are disposed of in accordance with the law requirements.



Please return all unnecessary or obsolete products and packaging to the appropriate recycling points, where they will be professionally disposed of. Dispose of unusable parts of the product in a controlled landfill. Only a product recycled in this way can be reused properly and returned to the utility.



5. Warranty

- Warranty works according to valid law. Warranty is valid only in case when respecting all steps for proper installation and maintenance. Warranty is related to the production defects and defects of the material. We not guarantee suitability of usage of the EPS box for special purposes. Full competence of the customer is consideration of suitability.
 - o Warranty is not related for defects comes from:
 - o Wrong manipulation,
 - o During transport (damages comes from transport – financial compensation is necessary to solve with haulier),
 - o Not respecting of installation conditions,
 - o Wrong operation,
 - o Intervention in to the product,
 - o Wear out by usual way,
 - o Due to natural disaster.

When applying the warranty is necessary to show:

- o ID of company or of applying person,
- o Date and number of the invoice/receipt,
- o Description of the failure including details,
- o Photo documentation from the installation site,

In case of warranty or non-warranty service contact your supplier or the installation company which made the installation. Method of solving the warranty repair is only on basis of the decision of the service company or according to the agreement. The complaining party will receive a written statement on the result of the complaint - warranty repairs. In the case of an unjustified complaint, the complaining party pays all costs associated with it.

6. Conclusion

If you have any questions about this product, do not hesitate to contact us. Contact address is given in the header of the manual.